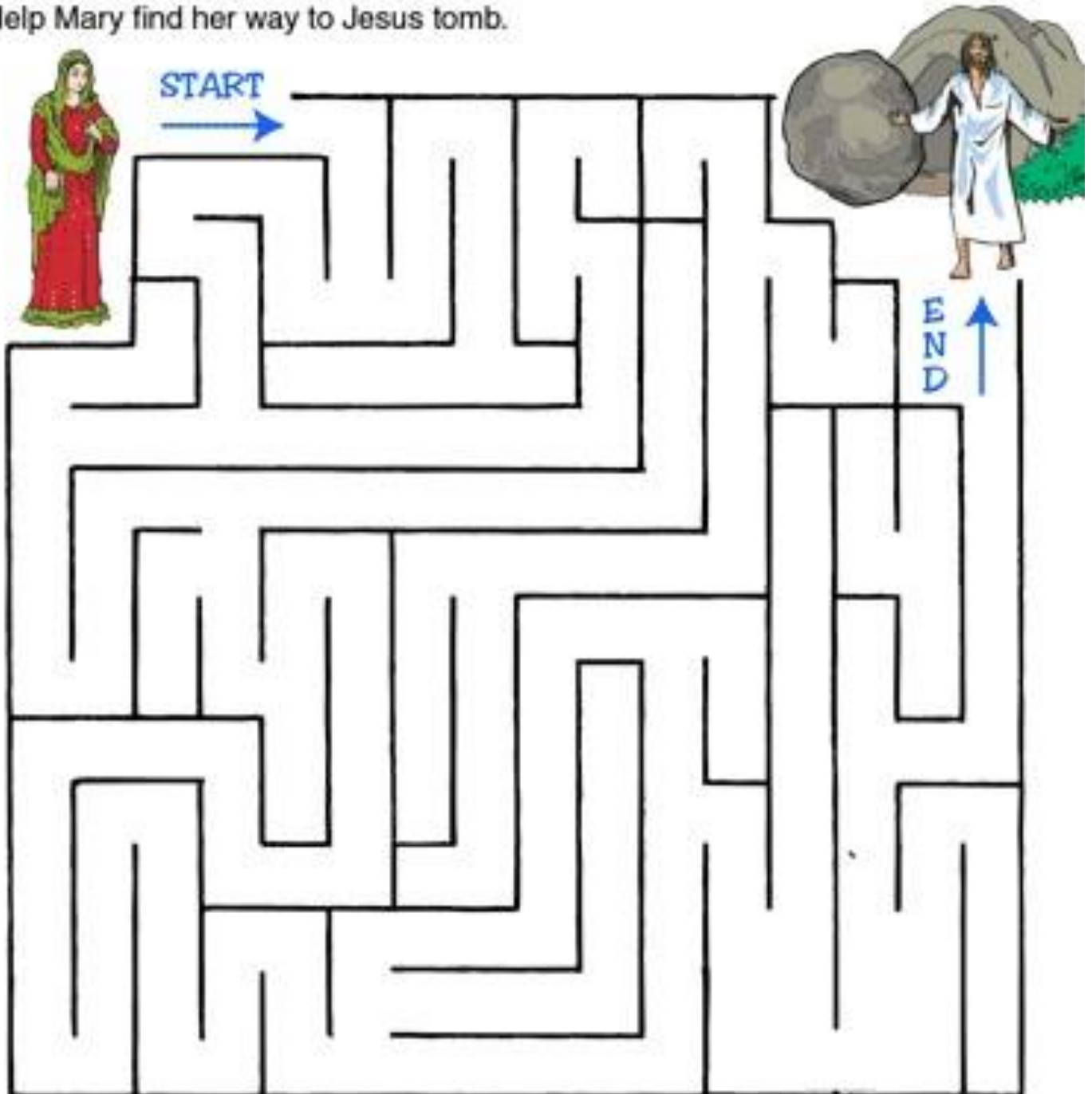


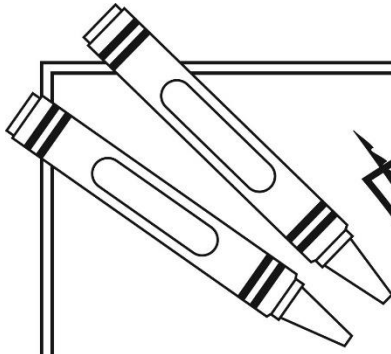
Jesus is Alive Maze

Early Easter morning, Mary Magdalene visited Jesus' tomb. The stone had been rolled away, and Jesus was not in the tomb. She was very sad because she thought someone had taken Jesus' body.

Then Mary saw a man she thought was the gardener. She was so happy to see the man was Jesus! She ran to tell the disciples Jesus was alive.

Help Mary find her way to Jesus tomb.





PUZZLE

RESURRECTION HOPE



Romans 6:5 reveals the hope we have because Jesus rose from the dead on Easter.

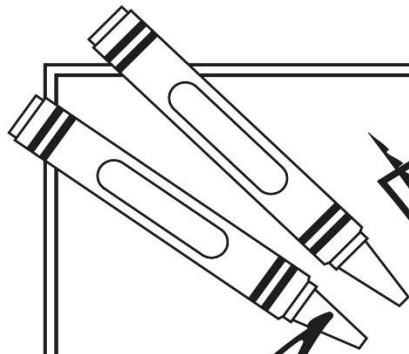


Directions: First solve the math problems. Then put the corresponding words in the blanks; for example, the word next to the answer "1" goes in the first blank, the word next to the answer "2" goes in the second blank, and so on.

- | | | | | | |
|-----------|-----------|-------------|-------|------------|--------------|
| 2+2 = ___ | united | 2x3 = ___ | death | 7+6 = ___ | resurrection |
| 3x3 = ___ | certainly | 18-16 = ___ | have | 4-1 = ___ | been |
| 0+1 = ___ | if | 2x4 = ___ | we | 13-1 = ___ | him |
| 2+3 = ___ | in | 20-6 = ___ | like | 2+5 = ___ | his |
| 2x5 = ___ | be | 8+3 = ___ | with | | |

“For 1 we 2 3 4
 with him 5 a 6 like 7 ,
8 will 9 also 10 united
11 12 in a 13
14 his.” Romans 6:5, NIV

Answer: For if we have been united with him in a death like his, we will certainly also be united with him in a resurrection like his. Romans 6:5, NIV



PUZZLE

A new creation
Just as spring brings beauty and renewal,
in Christ we, too, are made new.



Directions: Follow each flying butterfly to its correct number. Then write that word on the line with the corresponding number to read 2 Corinthians 5:17.

10 old the anyone has 11

8 new has in 6

12 The new the 9

5 Christ is creation 7

13 gone if come 16

3 17

2 14

15 4

“Therefore, _____ 2 _____ 3 _____ 4 _____ 5 _____ 6 _____ , _____ 7 _____

_____ 8 _____ 9 _____ 10 _____ 11 _____ 12 _____ 13 _____

_____ 14 _____ 15 _____ 16 _____ 17 _____ is here!”

2 CORINTHIANS 5:17, NIV

Answer: Therefore, if anyone is in Christ, the new creation has come: The old has gone, the new is here! 2 Corinthians 5:17, NIV

